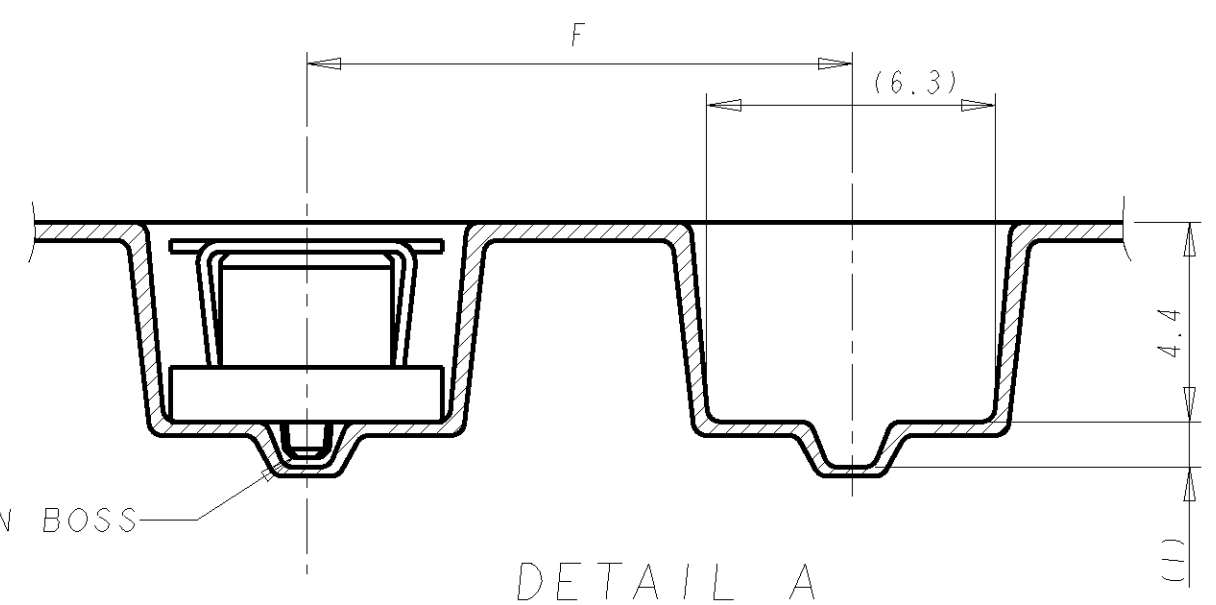
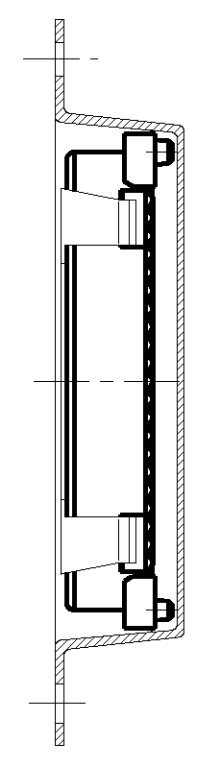
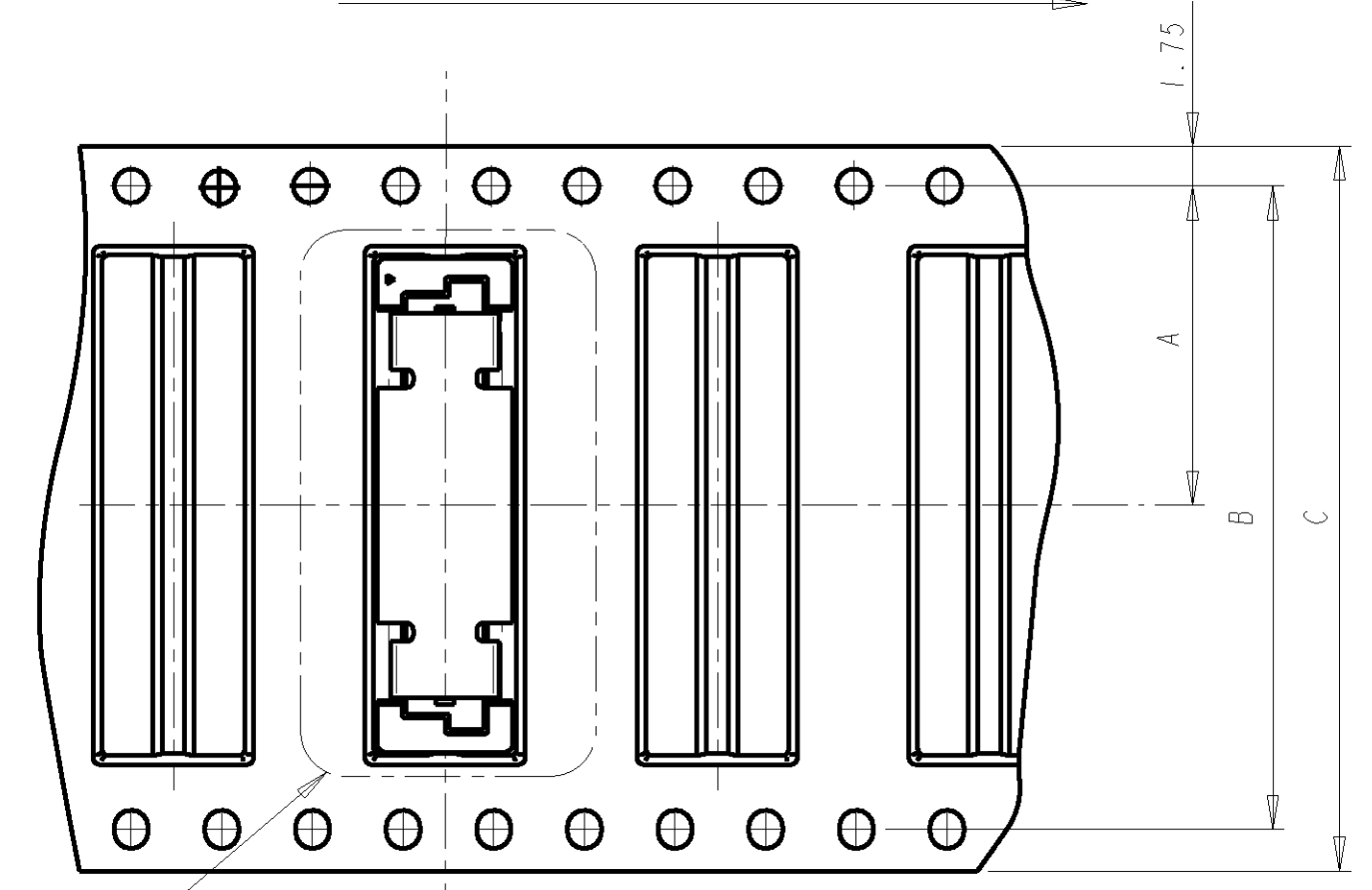


THIS DRAWING IS UNPUBLISHED. RELEASED FOR PUBLICATION
 © COPYRIGHT BY ALL RIGHTS RESERVED.

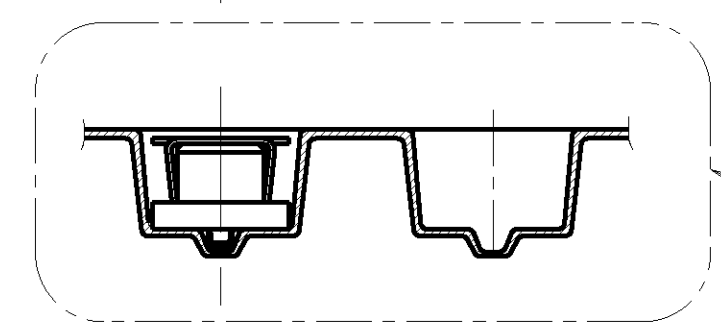
LOC		DIST		REVISIONS			
P	LTR	DESCRIPTION	DATE	DWN	APVD		
P		REVISED PER ECO-11-005139	19MAR11	RK	HMR		

DIRECTION OFF TOP OF REEL

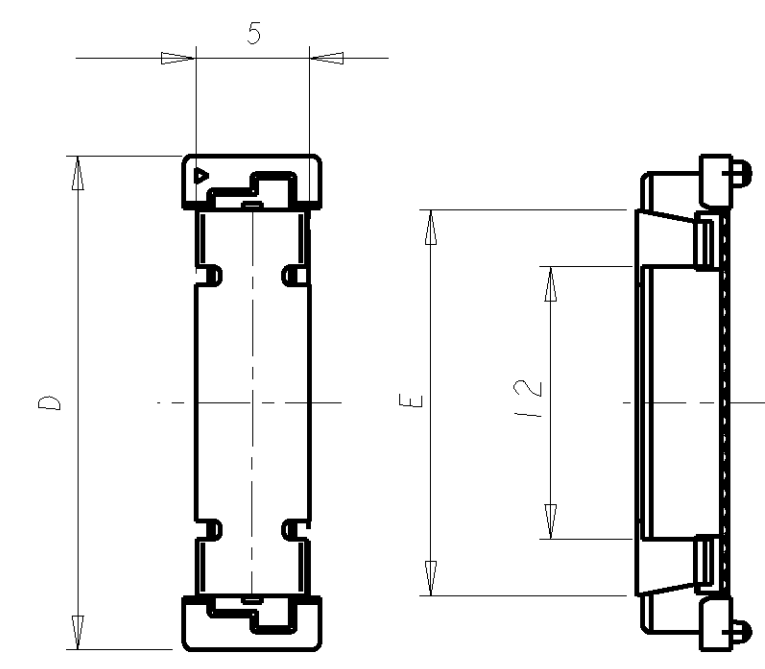


DETAIL A
(SCALE 4-1)

DETAIL B



DETAIL A

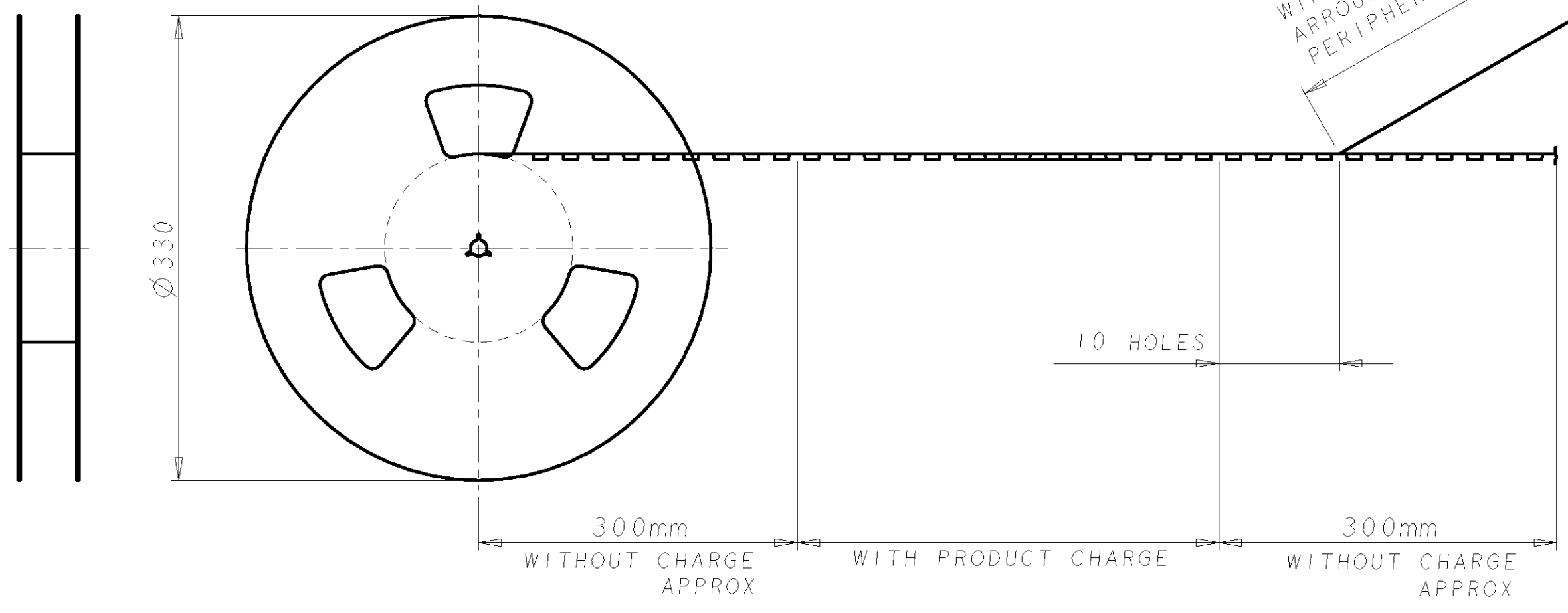


DETAIL B

NOTES:

- MATERIAL: HOUSING: L.C.P. (HIGH TEMP THERMOPLASTIC)
UL 94V-0, NATURAL.
CONTACT: BERYLIUM COPPER.
- FINISH: CONTACT AREA: 0.0002 MIN GOLD ON
0.0013 MIN ALL OVER NICKEL.
SOLDERING AREA: 0.002 MIN MATTE TIN.
- POSITION SERIES: SEE TABLE.
- CONN STACK HEIGHT COMBINE OF PLUG "Y" H VS REC "X" H.
STACK HEIGHT = Y + X - 5
- FINISH: CONTACT AREA: 0.00038 MIN GOLD ON
0.0013 MIN ALL OVER NICKEL.
SOLDERING AREA: 0.002 MIN MATTE TIN.

WINDING THE COVER TAPE
AROUND THE OUTER
PERIPHERY IN A TURN.



FINISH	QTY	F	E	D	C	B	A	POS	CONN P/N	PART NO.
15Au-Sn 5	↑	↑	↑	85.8	104	100.4	50.2	200	2-	-0
	↑	↑	↑	77.8	104	100.4	50.2	180	1-	-9
	↑	↑	↑	70.1	88	84.4	42.2	160	1-	-8
	↑	↑	↑	61.8	88	84.4	42.2	140	1-	-6
	↑	↑	↑	53.8	72	68.4	34.2	120	1-	-5
	↑	↑	↑	45.8	72	68.4	34.2	100	1-	-4
08Au-Sn 2	↑	↑	↑	37.8	56	52.4	26.2	80	1-	-3
	↑	↑	↑	29.8	44	40.4	20.2	60	1-	-2
	↑	↑	↑	21.8	32	28.4	14.2	40	1-	-1
	↑	↑	↑	85.8	104	100.4	50.2	200	1-	-0
	↑	↑	↑	77.8	104	100.4	50.2	180		-9
	↑	↑	↑	69.8	88	84.4	42.2	160		-8
FINISH	↑	↑	↑	61.8	88	84.4	42.2	140		-6
	↑	↑	↑	53.8	72	68.4	34.2	120		-5
	↑	↑	↑	45.8	72	68.4	34.2	100		-4
FINISH	↑	↑	↑	37.8	56	52.4	26.2	80		-3
	↑	↑	↑	29.8	44	40.4	20.2	60		-2
	↑	↑	↑	21.8	32	28.4	14.2	40		-1
FINISH	QTY	F	E	D	C	B	A	POS	CONN P/N	PART NO.
									5177983-1	5177985-1

DIMENSIONS: mm		TOLERANCES UNLESS OTHERWISE SPECIFIED:		DWN SK LEAW 17MAY2004		CHK ERIC TNG 17MAY2004		TE Connectivity					
		0 PLC ± 1 PLC ±0.3 2 PLC ±0.25 3 PLC ±0.2 4 PLC ± ANGLES ±3° FINISH		PRODUCT SPEC 108-5390		APPLICATION SPEC 114-5254		NAME RECEPTACLE ASSEMBLY 5H TYPE (0.5 BOSS LENGTH) FOR FH 0.8 B-T-B CONN, ON TAPING					
MATERIAL		SEE P/N TABLE		APVD SF LEONG		WEIGHT		SIZE A2		CAGE CODE 00779		DRAWING NO. 5177985	
				CUSTOMER DRAWING				SCALE 3:1		SHEET 1 OF 1		REV P	